

**COUNTY OF TUSCOLA
DEPARTMENT OF BUILDINGS AND GROUNDS**

125 W. Lincoln St
CARO, MI 48723

MICHAEL MILLER
Director

THOMAS MCLANE
Assistant Director

TO: INTERESTED CONTRACTORS

FROM: MIKE MILLER

DATE: July 20, 2017

RE: Concrete Fire Pit Rings

Tuscola County will be accepting bids on the installation of 10 new concrete fire pit rings at Vanderbilt Park. The following specifications shall be considered in your bid:

Location: 4446 Bath RD Fairgrove, MI 48733

1. Contractor shall provide 10 new concrete fire pit rings.
2. Rings shall meet or exceed the specifications provided by Cadillac Culvert (see attached)
3. Bid shall include delivery and set up at our park location.
4. Rings are to be fully cured and ready for use upon delivery.
5. Call Miss DIG (811) prior to any ground disturbance.

Contractor shall provide any needed permits to complete this project and must follow all local, State, and Federal construction codes.

Contractor shall provide copies of liability and work man's comp insurance, before work can begin.

State Recreation Passport grant funding is being used for this project.

For more information please see our website at <http://www.tuscolacounty.org/rfp/> or please call Mike Miller if you have questions- 989-672-3756

Only **Sealed** proposals labeled "Fire Pit Rings" shall be submitted to the Tuscola County Controllers office 125 W. Lincoln st, Caro, and MI 48723 no later than 4:00pm August 4, 2017.

Disclaimer

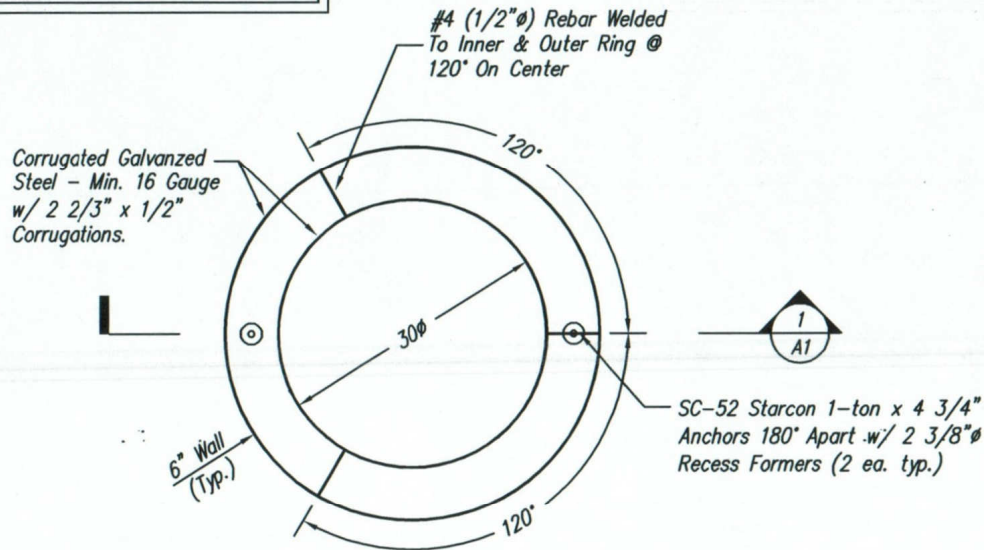
Project must comply with all requirements of the 1976 PA 453 (Elliott-Larsen Civil Rights Act) and 1976 PA 220 (Persons with Disabilities Civil Rights Act), as amended

Tuscola County reserves the right at its sole discretion to reject any and all proposals received without penalty and not to enter a contract as a result of this RFP. The County also reserves the right to negotiate separately with any source whatsoever in any manner necessary to attend to the best interests of the County, to waive irregularities in any proposal and to accept a proposal which best meets the needs of the County, irrespective of the bid price."

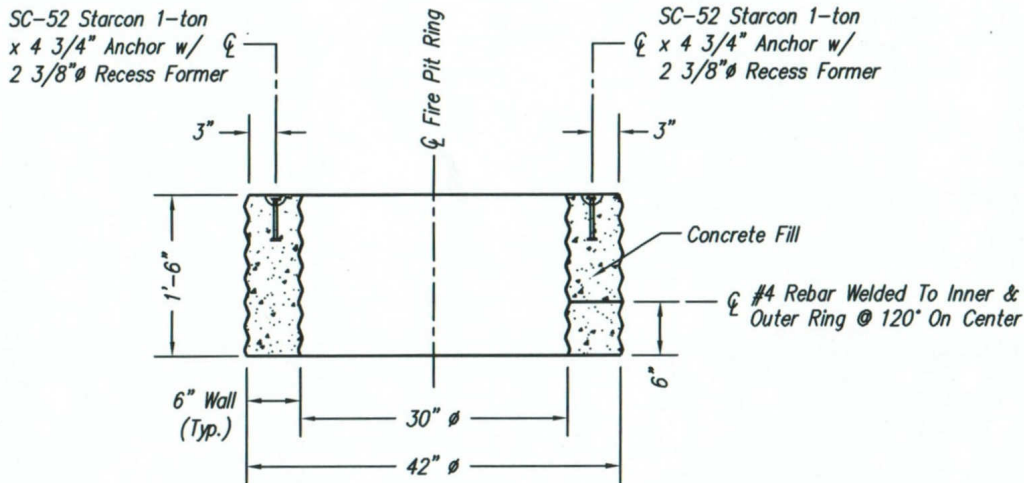
By submitting a bid, the bidder is acknowledging that there will be no contractual relationship between Tuscola County and the bidder until both parties have formally approved and signed a written contract to be developed by Tuscola County legal counsel.

The County reserves the right to make an award without further discussion of any proposal submitted. Therefore, the proposal should be submitted initially on the most favorable terms which the offer can propose. There will be no best and final offer procedure. The County does reserve the right to contact an offer for clarification of its proposal."

Approximate Component Weight:
30" I.D. x 42" O.D. x 18" Tall.....1,060#



PLAN VIEW



PROFILE VIEW

FIRE PIT RING

Concrete Mix Design:

Following is the approximate quantities of the proposed mix design per cubic yard.

Type I or Type III cement	769# / cu.yd.
Peastone	1755# / cu.yd.
2NS Sand	1311# / cu.yd.
Mix Water	213# / cu.yd. - See Note #1
MicroFiber	2# / cu.yd. - See Note #2
MB AE 90	23oz / cu.yd. - See Note #3

Note 1. Quantity of mix water is adjusted to achieve a slump of 0 to 7 inches.

Note 2. MicroFiber is a synthetic fiber from Grace Construction Products.

Note 3. MB AE 90 is an air entraining admixture from Master Builders, Inc.

Notes:

1. Corrugated Galvanized Steel Is To Be 16 Gauge Or Heavier w/ 2 2/3" x 1/2" Corrugations.
2. Both The 30"Ø & 42"Ø Rings Are Bottomless.
3. One Edge On Each Ring Shall Be Rolled To Provide A Rounded Flange Lip. The Rolled Edge (Approx. 1 3/8") Is To Be Formed And Not Welded.
4. The Inside Ring Shall Be Spot Welded. The Outside Ring Shall Be Spot Welded & Riveted.
5. (2) SC-52 Starcon 1-ton x 4 3/4" Anchors w/ 2 3/8"Ø Recess Formers Are Required 180' Apart.

Cadillac Culvert
5305 M-115
Cadillac, MI 49601

Revisions:	No.	Date
	1	
2		
3		
4		

Sheet Title:	GENERAL INFORMATION
Producer:	THE PREMARC CORPORATION

MICHIGAN
CORRUGATED METAL
CONCRETE FILLED
FIRE PIT RING
CONFIGURATION

Des. By:	Job No.
Drawn By: BAP	Sheet No. A1
Chk'd By: JKC	
Date: 10/17/03	